



VIEW Certified Configuration Guide

Hewlett-Packard

HP ProCurve Wireless Edge Services
xl Module

Trademark Information

Polycom® and the logo designs
SpectraLink®
LinkPlus
Link
NetLink
SVP

Are trademarks and registered trademarks of Polycom, Inc. in the United States of America and various countries. All other trademarks used herein are the property of their respective owners.

Patent Information

The accompanying product is protected by one or more US and foreign patents and/or pending patent applications held by Polycom, Inc.

Copyright Notice

Copyright © 2007 to 2008 Polycom, Inc.

All rights reserved under the International and pan-American copyright Conventions.

No part of this manual, or the software described herein, may be reproduced or transmitted in any form or by any means, or translated into another language or format, in whole or in part, without the express written permission of Polycom, Inc.

Do not remove (or allow any third party to remove) any product identification, copyright or other notices.

Every effort has been made to ensure that the information in this document is accurate. Polycom, Inc. is not responsible for printing or clerical errors. Information in this document is subject to change without notice and does not represent a commitment on the part of Polycom, Inc.

Notice

Polycom, Inc. has prepared this document for use by Polycom personnel and customers. The drawings and specifications contained herein are the property of Polycom and shall be neither reproduced in whole or in part without the prior written approval of Polycom, nor be implied to grant any license to make, use, or sell equipment manufactured in accordance herewith.

Polycom reserves the right to make changes in specifications and other information contained in this document without prior notice, and the reader should in all cases consult Polycom to determine whether any such changes have been made.

No representation or other affirmation of fact contained in this document including but not limited to statements regarding capacity, response-time performance, suitability for use, or performance of products described herein shall be deemed to be a warranty by Polycom for any purpose, or give rise to any liability of Polycom whatsoever.

Contact Information

Please contact your Polycom Authorized Reseller for assistance.

Polycom, Inc.
4750 Willow Road,
Pleasanton, CA 94588
<http://www.polycom.com>

Introduction

Polycom's Voice Interoperability for Enterprise Wireless (VIEW) Certification Program is designed to ensure interoperability and high performance between SpectraLink Wireless Telephones and WLAN infrastructure products.

The products listed below have been thoroughly tested in Polycom's lab using the VIEW Certification Test Plan. This document details how to configure the Wireless Edge Services xl Module and Radio Ports with SpectraLink Wireless Telephones.

Certified Product Summary

Manufacturer:	Hewlett-Packard: http://procurve.com/	
Approved products:	ProCurve Wireless Controllers	ProCurve Access Points
	Wireless Edge Services xl Module, J9001A † Redundant Wireless Services xl Module, J9003A	Radio Port 210, J9004A Radio Port 220, J9005A Radio Port 230, J9006A †
RF technology:	802.11b	
Radio:	2.4 – 2.484 GHz	
Security:	WPA-PSK / WPA2-PSK	
AP firmware version certified:	WS.02.07	
SpectraLink handset models certified: **	e340/h340/i640	8020/8030
SpectraLink handset software certified:	089.135	122.013
SpectraLink radio mode:	802.11b	802.11b
Maximum telephone calls per AP:	12	12
Recommended network topology:	Switched Ethernet (recommended)	

† Denotes products directly used in VIEW Certification testing

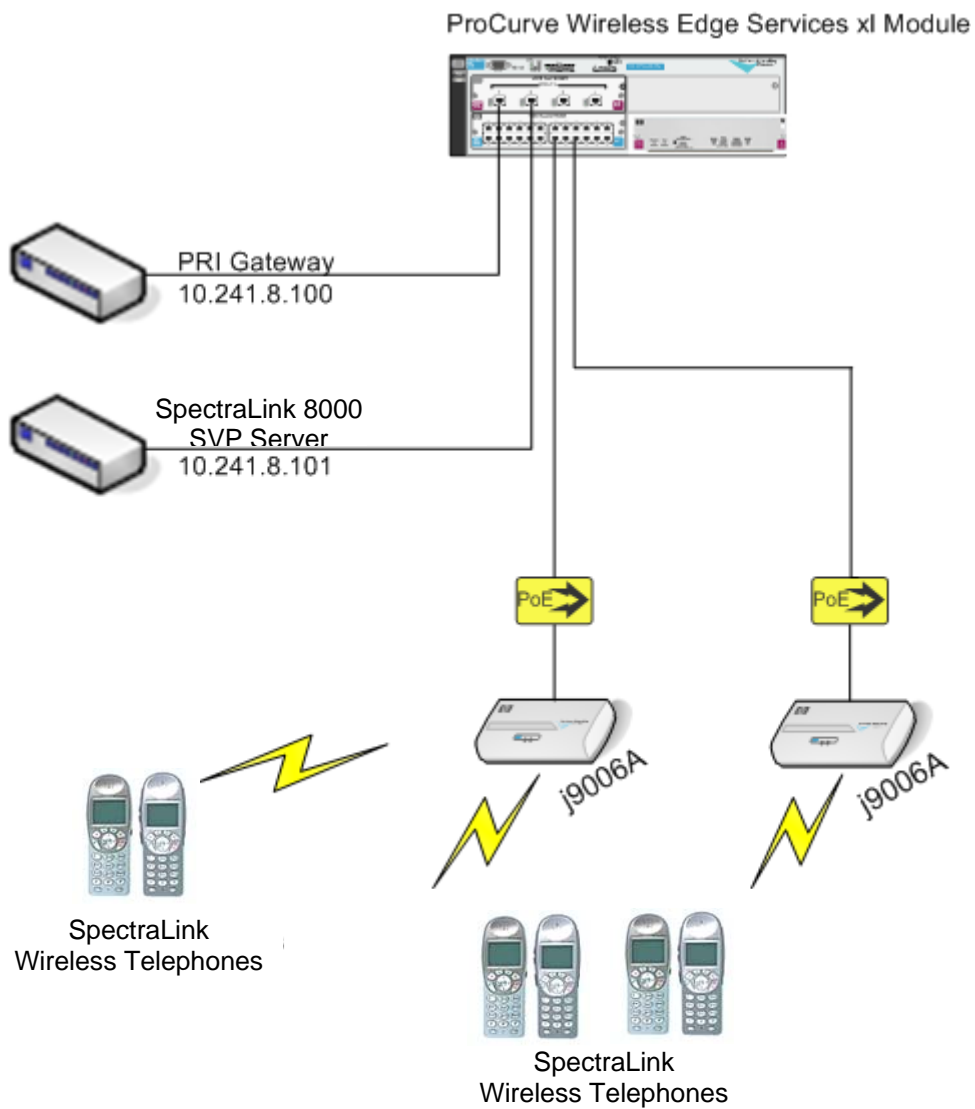
** SpectraLink handset models 8020/8030, e340/h340/i640 and their OEM derivatives are VIEW Certified with the WLAN hardware and software identified in the table. Throughout the remainder of this document they will be referred to collectively as "SpectraLink Wireless Telephones".

Service Information

If you encounter difficulties or have questions regarding the configuration process, please contact Hewlett-Packard's technical support at (866) 697-7628, PCCAmericas@hp.com, or <http://procurve.com>.

Network Topology

The following topology was tested during VIEW Certification testing.



Configuration Settings

1. From the **Network Setup** menu, select **Radio**.
2. Click the **Configuration** tab.
3. Highlight the radio on which the SpectraLink Wireless Telephones will be operating.
4. Click the **Edit** button.
5. In the **Properties** section, clear the **Single-channel scan for Unapproved APs** check box.
6. In the **Radio Settings** section, select the **Desired Channel** and **Desired Power (dBm)** settings from their drop-down lists. Please consult your facility's site survey to determine power and channel settings.

Network Setup > Radio > Configuration

Configuration RADIO1

Properties		Radio Settings	
Radio Descr.	RADIO1	Placement	Indoors Actual
<input type="checkbox"/> Dedicate this Radio as a Detector		Desired Channel	6
<input type="checkbox"/> Single-channel scan for Unapproved APs		Desired Power (dBm)	15
Base Radio MAC	00-14-C2-A0-8E-30		32 mW
Radio Type	802.11bg		Rate Settings
Index Type	Static		
Advanced Properties			
Antenna Mode	Diversity	RTS Threshold	2346 bytes
Maximum Stations	256	Beacon Interval	100 K-us
Adoption Preference ID	0	Self Healing Offset	0 dBm
<input type="checkbox"/> Short Preambles only			DTIM Periods

Status:

OK Cancel Help

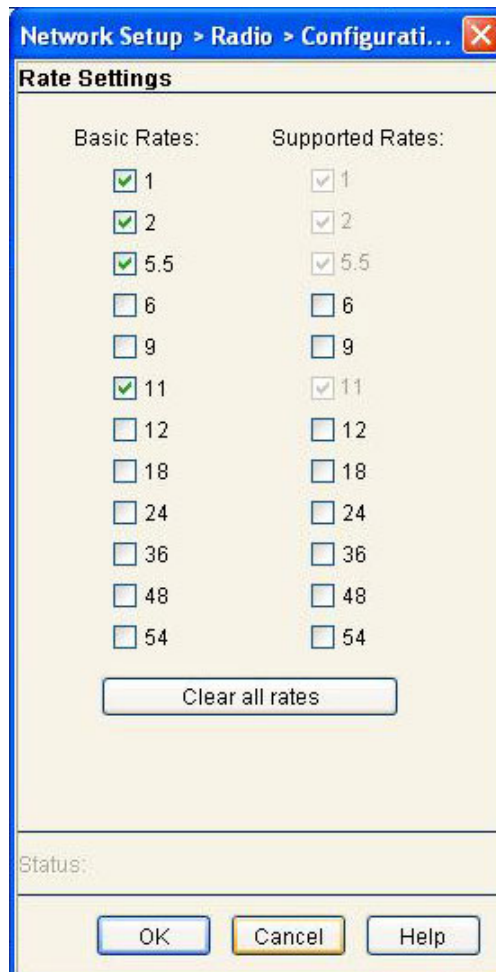
- Click the **Rate Settings** button. For setting up the **Data Rates**, please consult your facility's RF site survey, designed for voice traffic, to determine if you have sufficient coverage to support all data rates. SpectraLink Wireless Telephones require the following minimum dBm reading to support the corresponding "Basic" data rate setting in the access point.

802.11 Radio Standard	Minimum Available Signal Strength (RSSI)	Maximum "Basic" Data Rate
802.11b	-70 dBm	1 Mb/s
	-60 dBm	11 Mb/s



For additional details on RF deployment please see the [Deploying Enterprise-Grade Wi-Fi Telephony](#) white paper and the [Best Practices Guide for Deploying SpectraLink 8020/8030 Wireless Telephones](#).

- After selecting the rate settings listed above, click the **OK** button to save the settings.



9. Click the **DTIM Periods** button.
10. Set **BSS1**, **BSS2**, **BSS3**, **BSS4** to DTIM = **3** (default DTIM = **2**).
11. Click the **OK** button to save the **DTIM** settings.



12. From the **Network Setup** menu, select **WLAN Setup**.
13. Click the **Edit** button.
14. In the **Configuration** section, enter the **SSID** to match the configuration on the SpectraLink Wireless Telephones.
15. Clear the **Dynamic Assignment** check box.
16. In the **Advanced** section, select the **Enable SVP** check box.
17. Set **Access Category** to **Low** (default is **Normal**).
18. Click the **OK** button to save your settings.

Network Setup > WLAN Setup > Edit SVP1

Edit

Configuration

SSID: VLAN ID: Dynamic Assignment

Description:

Authentication

802.1X EAP

Web-Auth

MAC Authentication

No Authentication

Encryption

WEP 64

WEP 128

WPA/WPA2-TKIP

WPA2-AES

Advanced

Accounting Mode: Inter-station Traffic:

Answer Broadcast ESS Inactivity Timeout: seconds

Use Voice Prioritization Access Category:

Enable SVP MCast Addr 1:

Closed System MCast Addr 2:

Status: